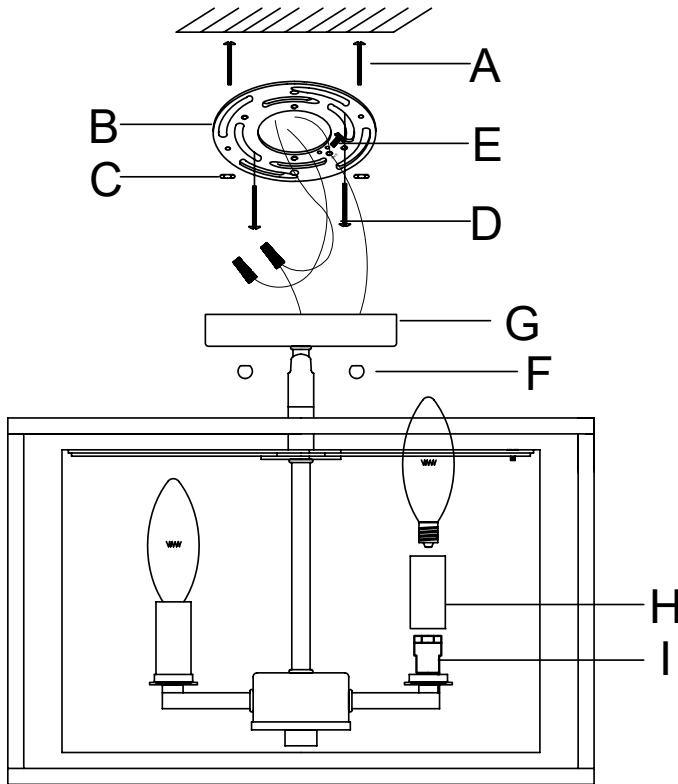


Assembly Instructions: 2243-SF (Manhattan)

IMPORTANT:

- ALL INSTALLATION WORK SHOULD BE DONE BY ACCREDITED PROFESSIONAL.
- SHUT OFF POWER SUPPLY AT FUSE OR CIRCUIT BREAKER!
- USE ONLY THE SPECIFIED BULBS. DO NOT EXCEED THE MAXIMUM WATTAGE!

For Customer Service, please contact the place of purchase.



PREPARING FOR INSTALLATION

Remove all of the contents from the carton. See the important notes above. Shut off the power at the circuit breaker and completely remove the old fixture from the ceiling, including the old mounting strap.

1. Mounting strap (B) contains several pairs of threaded holes. Find the pair of holes that matches the spacing of the holes on the junction box and your fixture's canopy. Test canopy (G) on mounting strap (B) to ensure that the canopy will hang straight with enough of the threads of mounting screws (A) exposed for deco nuts (F) to fit securely. Place the fixture aside. Pull the house wires through the center of mounting strap (B).

2. Place mounting strap (B) over the junction box so that mounting screws (D) may be inserted. Secure mounting strap (B) to the junction box with mounting screws (D) and a screwdriver. Tighten the screws securely.

How to Identify the Fixture's Wires		
Hot	Neutral	Ground
Smooth	Ribbed	Bare Metal, Green, or Green Inner Thread
Black	White	
Black Inner Thread	White Inner Thread	

House Wires: Hot, Neutral, Ground

Fixture Wires: Hot, Neutral, Ground

CONNECTING THE WIRES

3. Have an assistant support the fixture's weight while completing the wiring. Cut away excess wire. Pull the fixture's wires through the canopy. Attach the fixture's wires to the power supply wires from the junction box. Connect black to black (or smooth); white to white (or ribbed); ground to ground (green or copper). Twist the ends of the wire pairs together, and then twist on a wire connector. Make sure all twists are in the same direction. If there is no ground wire (green or copper) coming from the junction box, locate ground screw (E) on the mounting strap and wrap the fixture's ground wire around the green ground screw (E). Use a screwdriver to secure ground screw (E) onto the mounting bracket. Tuck all wires neatly into the junction box.

FINISHING THE INSTALLATION

4. Push canopy (G) up to the ceiling over mounting strap (B) so that mounting screws (A) protrude through the holes in the canopy. Tightly thread decorative nuts (F) onto the exposed threads of mounting screws (A) to secure canopy (G) in place.

5. Carefully slide candle sleeves (H) over sockets (I).

6. Install bulbs (not provided) in accordance with the fixture's specifications. Do not exceed the maximum wattage.

Your installation is now complete. Turn on the power and test the fixture.

CLEANING TIPS

Treat the fixture gently! Regular cleaning will reduce the need for deep cleaning. For regular cleaning, turn off the light and wipe down the fixture with a clean lint-free cotton or microfiber cloth. Never spray cleaner directly onto the fixture.